

CDAC

WHEN COMMUNICATION IS CRITICAL

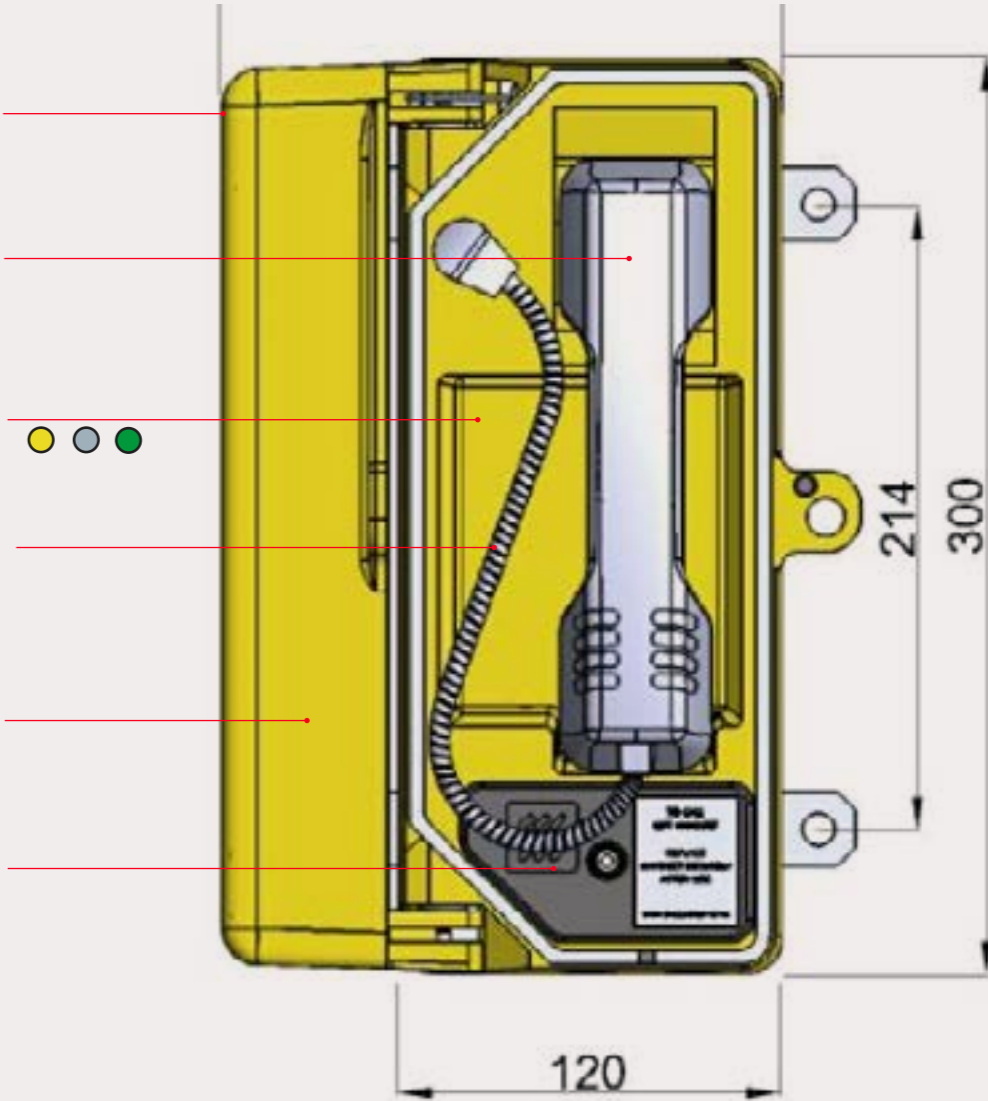


RA708

Weatherproof ruggedised
industrial telephone



- CAST ALUMINIUM WEATHERPROOF CASE
- POLYURETHANE TUFF HANDSET
- YELLOW, GREY OR GREEN POWDERCOAT COLOUR OPTIONS AVAILABLE
- ARMoured CORD (CURLY CORD OPTION AVAILABLE)
- SELF-CLOSING DOOR FOR PROTECTION AGAINST DUST & MOISTURE INGRESS
- CONCEALED NANO SIM INPUT WITH PUSH-PUSH INTERFACE



OUR RUGGEDISED TELEPHONE DESIGNED FOR INDUSTRIAL APPLICATIONS

Communication failures in critical operations can lead to expensive delays, service interruptions, and immense pressure on both infrastructure managers and operators.

The RA708 Telephone is purpose-built to deliver uncompromising reliability in the most demanding industrial environments. Constructed with a corrosion-resistant, weatherproof cast aluminum enclosure, it ensures long-term durability. Additionally, its self-closing door provides complete protection against dust and moisture ingress.

Proven through extensive field testing in some of the most challenging and harsh outdoor locations, the RA708 consistently demonstrates exceptional reliability and performance. By maintaining clear, high-quality audio over distances of up to 12 km, it ensures dependable communication links where they matter most.

The RA708 telephone is highly versatile and designed for use across a wide range of demanding sectors.

NetworkRail "The RA708 has now been adopted as the phone of choice for installing and use at level crossings, and will be used for all future projects and renewals"

KEY FEATURES

- ✓ Weather & Vandal Resistant.
- ✓ Network Interface: Analogue, GSM-R, GSM (2G, 3G, 4G), VoIP-coming soon.
- ✓ Colours: standard yellow, grey or green durable powder coat (custom colours available).
- ✓ Multiple Dialing Variations: autodial, one-touch, 3-key or full keypad dialing.
- ✓ Rated to IP65 for dust and liquids.
- ✓ Operating Temperature: -30° C to +60° C
- ✓ RA708 is available with magnetic and NR 1 lock case options.

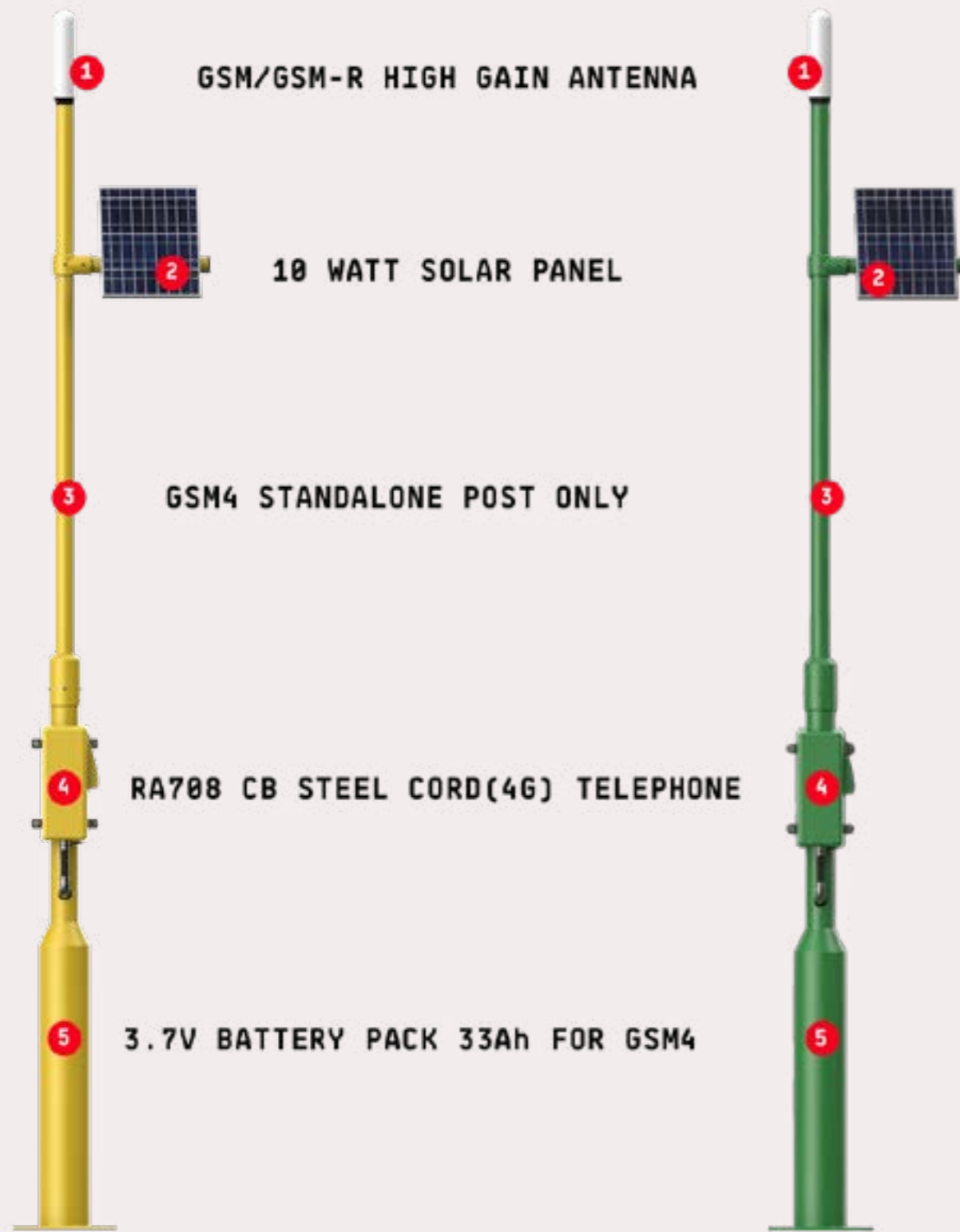
It is ideal for challenging environments, including rail, highways, military sites, factories, oil and gas facilities, coastal areas, public services, and caravan parks.

Asset Management Software can be integrated with the GSM4 version for device monitoring, fault reporting for preventative and predictive maintenance.

The RA708 can also be purchased as a full Standalone Unit which is equipped with its own internal battery, a high-gain antenna and a 10W solar panel making it completely self-sufficient.

RA708 TELEPHONE IS APPROVED BY NETWORK RAIL

RA708 STANDALONE UNIT



The RA708 Standalone Unit (GSM4 Version) is a complete self-sufficient unit with year round autonomy. Each standalone unit is made up of 5 components assebled together.

- ✓ GSM/GSM-R High gain antenna
- ✓ 10W Solar panel
- ✓ GSM4 Standalone post only
- ✓ RA708 4G Telephone (CB or full keypad with steel or curly cord
- ✓ 3.7V, 33Ah Battery pack

WHEN COMMUNICATION IS CRITICAL

DAC design and manufacture ruggedised communication equipment focused on providing unwavering reliability when it matters most.

Our range of products prioritise safety by ensuring critical communications remain clear and dependable, protecting lives and

PROUD TO PARTNER

OTHER EQUIPMENT IN OUR RANGE

	PIS-PA TUFF HANDSET Handset for Passenger Information Systems (PIS) and Passenger Announcement (PA), with customisable connectivity for any train cab.	<ul style="list-style-type: none"> ✓ Train cabs ✓ Compatible with all vehicle classes ✓ Passenger Information 	<ul style="list-style-type: none"> ✓ Passenger Announcement ✓ Guard Operator Panel
	GSM-R TUFF HANDSET A safety critical train cab handset compatible with any class of vehicle, with customisable connectivity for any train cab application	<ul style="list-style-type: none"> ✓ Train Cabs ✓ Compatible with all vehicle classes 	<ul style="list-style-type: none"> ✓ GSM-R: Global System for Mobile - Railway
	ERT 354 EMERGENCY ROADSIDE TELEPHONE Emergency roadside telephone system upgraded with GSM4 technology.	<ul style="list-style-type: none"> ✓ Special Projects ✓ National Highways Type 354 ✓ GSM 	
	RA711 HANDSFREE RUGGEDISED TELEPHONE Handsfree rugged telephone for use where customers experience loss through vandalism. Available as VoIP, GSM or Analogue.	<ul style="list-style-type: none"> ✓ Train Station ✓ Airports ✓ Help Points 	<ul style="list-style-type: none"> ✓ Prisons ✓ Public Services ✓ VoIP, GSM, Analogue
	INDUSTRIAL HEADSET EN352-approved hearing defence with comms and market leading passive attenuation. Interface to any PMR radio with clear and dependable communications.	<ul style="list-style-type: none"> ✓ Construction ✓ Motorsport ✓ Energy Generation ✓ Military & Defence 	<ul style="list-style-type: none"> ✓ Cameraman / TV ✓ Warehouse ✓ Airport
	ASSET MANAGEMENT SOFTWARE (AMS) Cloud based Asset Management Software for use on PC, tablet or mobile. Compatible with all DAC GSM and VoIP products – keeping a close eye on asset performance and availability.	<ul style="list-style-type: none"> ✓ Periodic Reporting ✓ Data Collation ✓ Remote Maintenance 	<ul style="list-style-type: none"> ✓ Preventative Maintenance ✓ Cloud Based ✓ PC, Mobile, Tablet



DESIGNED & MANUFACTURED IN THE UK. **INSTALLED ACROSS THE WORLD.**

T +44 (0)1282 447 000 E sales@daclimited.co.uk W daclimited.co.uk

A Union Mill, Watt Street, Sabden, Lancashire BB7 9ED, United Kingdom