

**PADS No. 087/038198**

**Weatherproof Telephone RA708-CB-Y-S-GSMR**

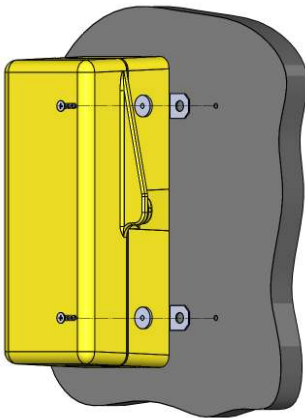


GSM-R



- RA708 Series
- GSM/GSM-R Operation
- CB (Autodial) operation
- Yellow powder coated
- Steel cord handset
- Robust construction
- All weather protection
- Vandal resistant fixings
- Simple installation
- Various mounting options
- Tough, polyurethane handset
- Various power options
- Low power consumption
- CE compliant

Mounting options:



**Wall mounting:**

Use reducing washers supplied with telephone

GSM/GSM-R Antenna  
PADS No. 087/038204

**Pole or post mounting:**

Stand-alone, battery powered with solar charger solution.  
Contact **DAC** for details.

GSM/GSM-R Telephone  
PADS No. misc.



10W Solar Panel  
PADS No. 087/038201

GSM/GSM-R Post  
PADS No. 087/038202

Battery Pack  
PADS No. 087/038203



# TECHNICAL SPECIFICATION

---

**Speech/ Network Interface:**

Quad band GSM and GSM-R, supplied SIM free

**Ringing:**

Frequency modulated, Piezo transducer, cadence as per incoming ringing

**Power Supply:**

Options include: battery, mains power pack, solar.

**Time out:**

Programmable

**Temperature:**

Operating: -30° C to +60° C

Storing: -40° C to +70° C

**Relative Humidity:**

Up to 95% (non-condensing)

**Casing Material:**

Robust cast aluminium.

**Weight:**

3.5kg

**Colours:**

Standard Yellow or Grey durable powder coat.  
[custom colours available].

**Programming:**

Remotely via SMS

**Safety:**

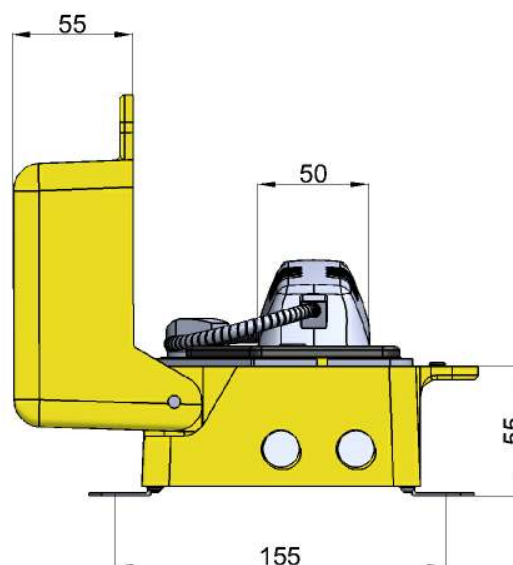
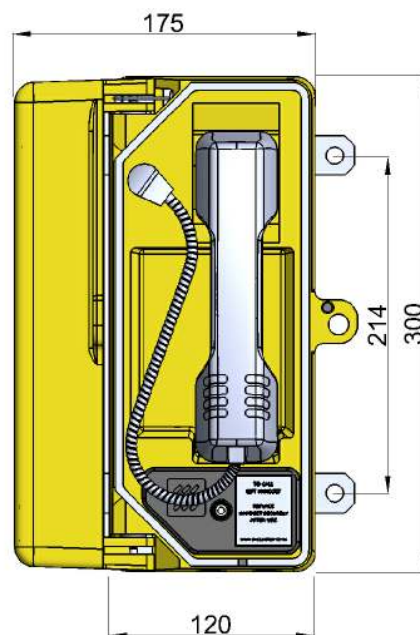
Manufactured to BS EN 60950

**Protection:**

Dust and Liquids to BS 5490: 1977 IP55

**Handset 'Wrench' Test:**

Curly Cord: 18kg Max. Armoured Cord: 150kg Max.



Tested to  
ETS 300-381



DAC Limited  
Union Mill,  
Watt Street, Sabden,  
BB7 9ED,

Tel. +44 (0) 1282 447000, Fax: +44 (0) 845 280 1915  
[www.daclimited.co.uk](http://www.daclimited.co.uk)