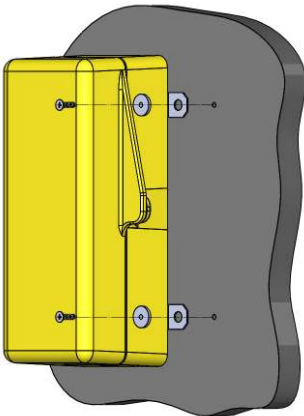


**PADS No. 087/000655**  
**Weatherproof Telephone RA708-FK-Y-S**

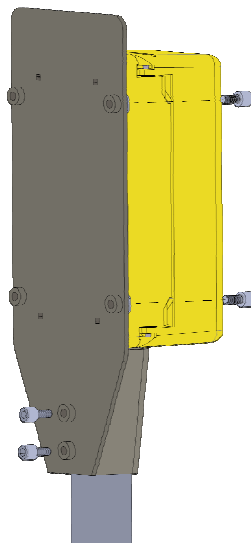


- RA708 Series
- Network Rail acceptance
- Full keypad
- Yellow powder coated
- Steel cord handset
- Robust construction
- All weather protection
- Vandal resistant fixings
- Simple installation
- Fast-fit terminal connection
- Various mounting options
- Tough, polyurethane handset
- REN-1 rating
- Line powered
- CE compliant

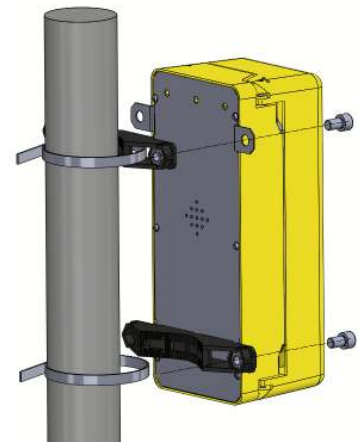
**Mounting options:**



**Wall mounting:**  
Use reducing washers  
supplied with telephone



**Top of pole mounting:**  
Top of pole mounting bracket  
available from DAC:  
087/073316 - Grey  
087/073315 - Yellow



**Side of post mounting:**  
Bracket kit (bands not  
provided) - 087/073314

# TECHNICAL SPECIFICATION

## Speech/ Network Interface:

Tested to TBR21/TBR38

## Ringling:

Frequency modulated, Piezo transducer, cadence as per incoming ringing. REN 1.0

## Power Supply:

Line powered, 10mA min.

## Time out:

Jumper selectable: OFF, 3 or 7 minutes

## Temperature:

Operating: -30° C to +60° C

Storing: -40° C to +70° C

## Relative Humidity:

Up to 95% (non-condensing)

## Casing Material:

Robust cast aluminium.

## Weight:

3.5kg

## Colours:

Standard Yellow or Grey durable powder coat.  
[custom colours available].

## Safety:

Manufactured to BS EN 60950

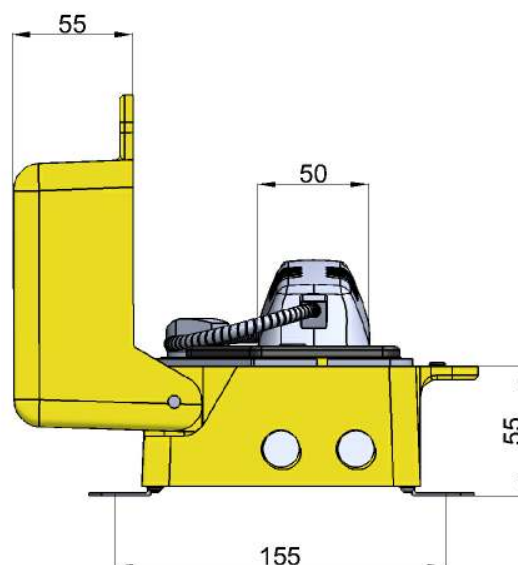
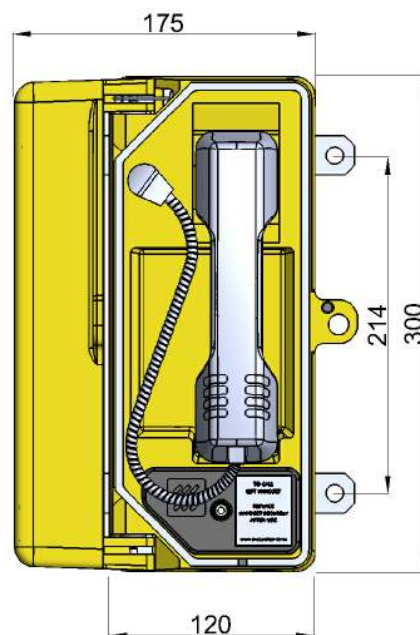
EN55022:1998 (EMC - Emissions)

EN50121-4:2006 (EMC Compatibility – Railway applications)

ITU-T K21 (Resistibility of telecommunications equipment installed at customers premises to over-voltages and over-current)

## Protection:

Dust and Liquids - IP55



Tested to  
ETS 300-381



DAC Limited  
Union Mill  
Watt Street, Sabden, Lancashire  
BB7 9ED  
Tel. +44 (0) 1282 447000, Fax: +44 (0) 845 280 1915  
www.daclimited.co.uk