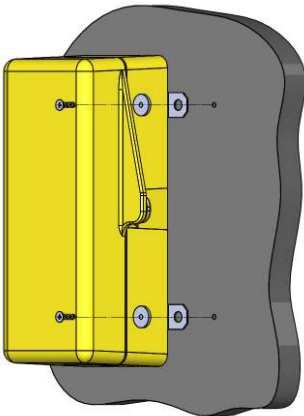


PADS No. 087/000653
Weatherproof Telephone RA708-FK-Y-C

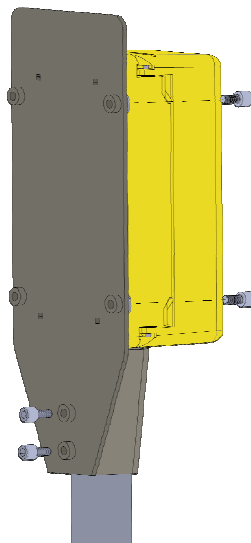


- RA708 Series
- Network Rail acceptance
- Full keypad
- Yellow powder coated
- Curly cord handset
- Robust construction
- All weather protection
- Vandal resistant fixings
- Simple installation
- Fast-fit terminal connection
- Various mounting options
- Tough, polyurethane handset
- REN-1 rating
- Line powered
- CE compliant

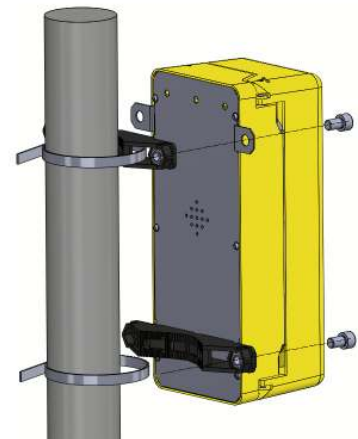
Mounting options:



Wall mounting:
Use reducing washers
supplied with telephone



Top of pole mounting:
Top of pole mounting bra-
cket available from DAC:
087/073316 - Grey
087/073315 - Yellow



Side of post mounting:
Bracket kit (bands not
provided) - 087/073314

TECHNICAL SPECIFICATION

Speech/ Network Interface:

Tested to TBR21/TBR38

Ringling:

Frequency modulated, Piezo transducer, cadence as per incoming ringing. REN 1.0

Power Supply:

Line powered, 10mA min.

Time out:

Jumper selectable: OFF, 3 or 7 minutes

Temperature:

Operating: -30° C to +60° C

Storing: -40° C to +70° C

Relative Humidity:

Up to 95% (non-condensing)

Casing Material:

Robust cast aluminium.

Weight:

3.5kg

Colours:

Standard Yellow or Grey durable powder coat.
[custom colours available].

Safety:

Manufactured to BS EN 60950

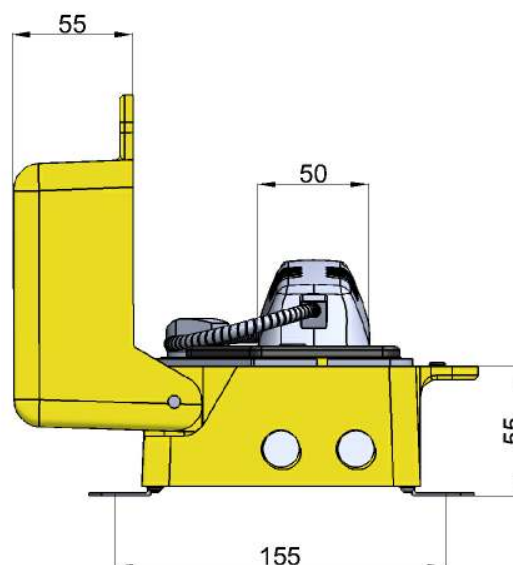
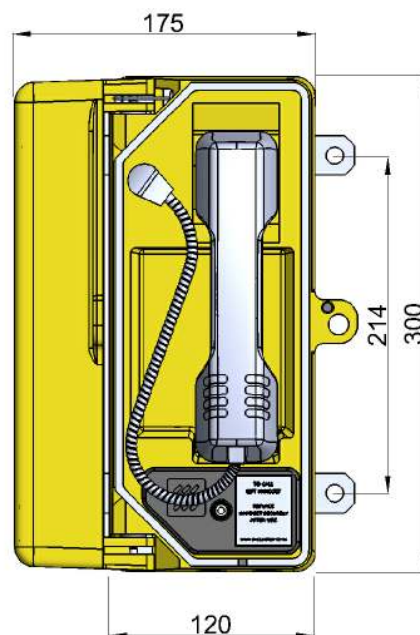
EN55022:1998 (EMC - Emissions)

EN50121-4:2006 (EMC Compatibility – Railway applications)

ITU-T K21 (Resistibility of telecommunications equipment installed at customers premises to over-voltages and over-current)

Protection:

Dust and Liquids - IP55



Tested to
ETS 300-381



DAC Limited
Union Mill
Watt Street, Sabden, Lancashire
BB7 9ED
Tel. +44 (0) 1282 447000, Fax: +44 (0) 845 280 1915
www.daclimited.co.uk