

PADS No. 087/038197

Weatherproof Telephone RA708-CB-Y-C-GSMR

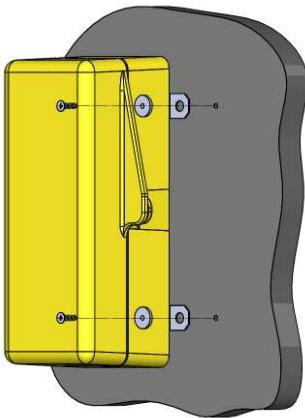


GSM-R



- RA708 Series
- GSM/GSM-R Operation
- CB (Autodial) operation
- Yellow powder coated
- Curly cord handset
- Robust construction
- All weather protection
- Vandal resistant fixings
- Simple installation
- Various mounting options
- Tough, polyurethane handset
- Various power options
- Low power consumption
- CE compliant

Mounting options:



Wall mounting:

Use reducing washers supplied with telephone

Pole or post mounting:

Stand-alone, battery powered with solar charger solution. Contact **DAC** for details.

GSM/GSM-R Antenna
PADS No. 087/038204



10W Solar Panel
PADS No. 087/038201

GSM/GSM-R Post
PADS No. 087/038202

GSM/GSM-R Telephone
PADS No. misc.

Battery Pack
PADS No. 087/038203



TECHNICAL SPECIFICATION

Speech/ Network Interface:

Quad band GSM and GSM-R, supplied SIM free

Ringin

Frequency modulated, Piezo transducer, cadence as per incoming ringing

Power Supply:

Options include: battery, mains power pack, solar.

Time out:

Programmable

Temperature:

Operating: -30° C to +60° C

Storing: -40° C to +70° C

Relative Humidity:

Up to 95% (non-condensing)

Casing Material:

Robust cast aluminium.

Weight:

3.5kg

Colours:

Standard Yellow or Grey durable powder coat. [custom colours available].

Programming:

Remotely via SMS

Safety:

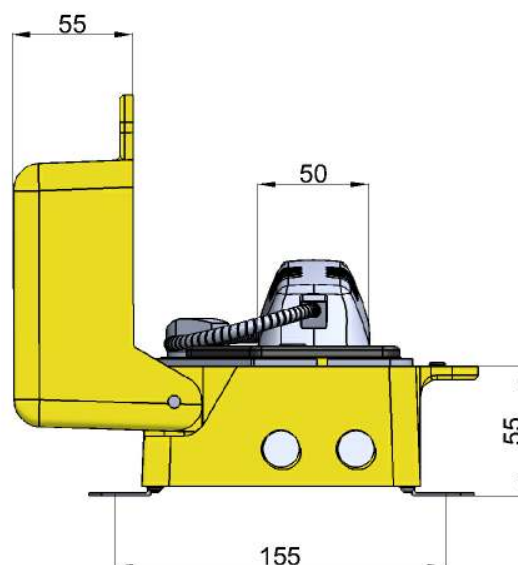
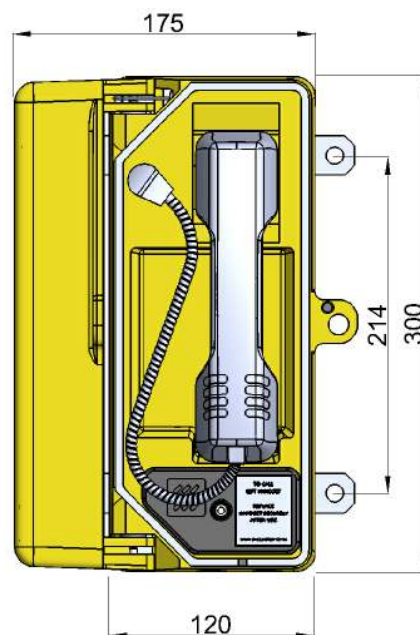
Manufactured to BS EN 60950

Protection:

Dust and Liquids to BS 5490: 1977 IP55

Handset 'Wrench' Test:

Curly Cord: 18kg Max. Armoured Cord: 150kg Max.



Tested to
ETS 300-381



DAC Limited
Unit 28, Turner Road,
Lomeshaye Business Village, Nelson,
BB9 7DR,
Tel. +44 (0) 1282 447000, Fax: +44 (0) 845 280 1915
www.daclimited.co.uk