

**PADS No. 087/038195**

**Weatherproof Telephone RA708-FK-G-S-GSMR**

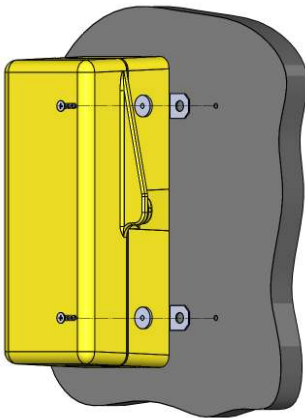


GSM-R



- RA708 Series
- GSM/GSM-R Operation
- Full Keypad
- Grey powder coated
- Steel cord handset
- Robust construction
- All weather protection
- Vandal resistant fixings
- Simple installation
- Various mounting options
- Tough, polyurethane handset
- Various power options
- Low power consumption
- CE compliant

Mounting options:



**Wall mounting:**

Use reducing washers supplied with telephone

**Pole or post mounting:**

Stand-alone, battery powered with solar charger solution. Contact **DAC** for details.

GSM/GSM-R Antenna  
PADS No. 087/038204



10W Solar Panel  
PADS No. 087/038201

GSM/GSM-R Post  
PADS No. 087/038202

GSM/GSM-R Telephone  
PADS No. misc.

Battery Pack  
PADS No. 087/038203



DAC Limited  
Unit 28, Turner Road,  
Lomeshaye Business Village, Nelson,  
BB9 7DR,  
Tel. +44 (0) 1282 447000, Fax: +44 (0) 845 280 1915  
[www.daclimited.co.uk](http://www.daclimited.co.uk)

# TECHNICAL SPECIFICATION

## Speech/ Network Interface:

Quad band GSM and GSM-R, supplied SIM free

## Ringin:

Frequency modulated, Piezo transducer, cadence as per incoming ringing

## Power Supply:

Options include: battery, mains power pack, solar.

## Time out:

Programmable

## Temperature:

Operating: -30° C to +60° C

Storing: -40° C to +70° C

## Relative Humidity:

Up to 95% (non-condensing)

## Casing Material:

Robust cast aluminium.

## Weight:

3.5kg

## Colours:

Standard Yellow or Grey durable powder coat. [custom colours available].

## Programming:

Remotely via SMS

## Safety:

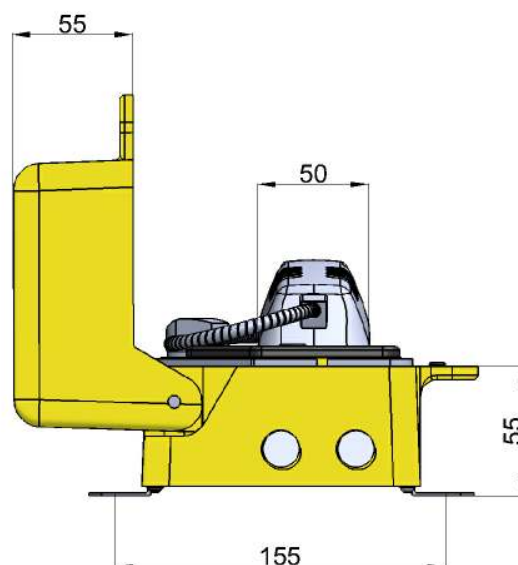
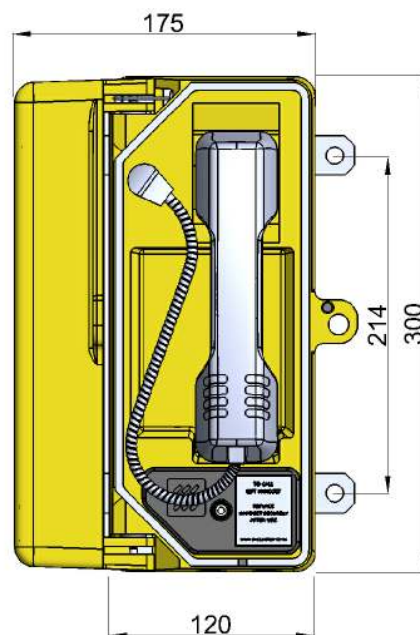
Manufactured to BS EN 60950

## Protection:

Dust and Liquids to BS 5490: 1977 IP55

## Handset 'Wrench' Test:

Curly Cord: 18kg Max. Armoured Cord: 150kg Max.



Tested to  
ETS 300-381



DAC Limited  
Unit 28, Turner Road,  
Lomeshaye Business Village, Nelson,  
BB9 7DR,  
Tel. +44 (0) 1282 447000, Fax: +44 (0) 845 280 1915  
www.daclimited.co.uk