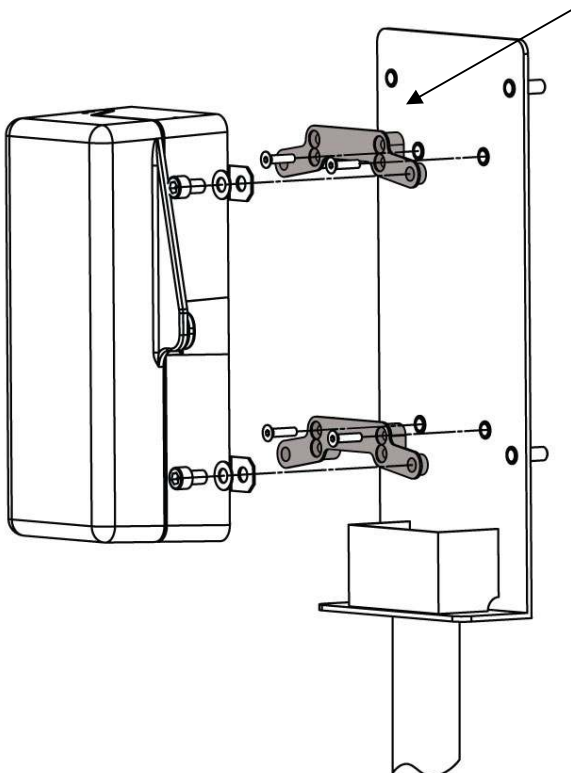




- For RA708 Series
- Network Rail acceptance
- For Current Gai-Tronics and Pascomm mounts
- Made of Zinc
- Easy installation
- Robust construction
- CE compliant

Mounting:



Ensure the top bracket is fixed using bottom holes and bottom bracket is fixed using top holes.

All mounting screws are supplied with telephone.