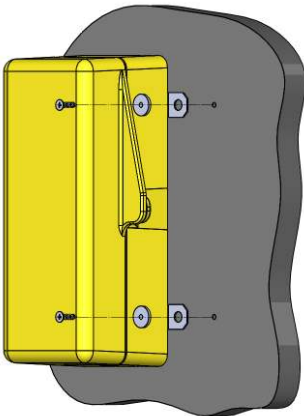


**PADS No. 087/000660**  
**Weatherproof Telephone RA708-CB-G-S**

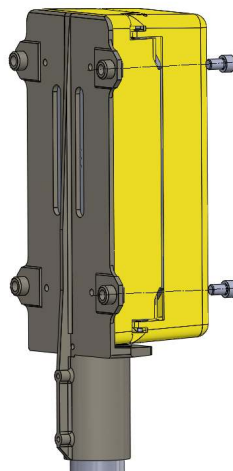


- RA708 Series
- Network Rail acceptance
- CB (Hot Dial) operation
- Grey powder coated
- Steel cord handset
- Robust construction
- All weather protection
- Vandal resistant fixings
- Simple installation
- Fast-fit terminal connection
- Various mounting options
- Tough, polyurethane handset
- REN-1 rating
- Line powered
- CE compliant

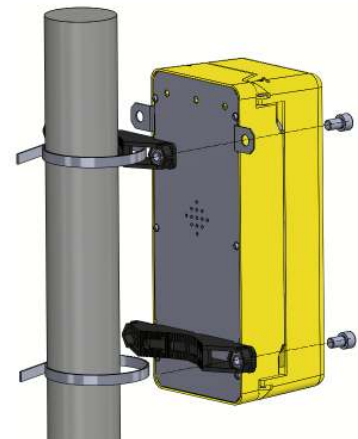
**Mounting options:**



**Wall mounting:**  
Use reducing washers  
supplied with telephone



**Top of pole mounting:**  
Top of pole mounting bracket  
available from DAC:  
503483/2-1 - Grey  
503483/2-2 - Yellow



**Pole or post mounting:**  
Adaptor bracket kit supplied  
with telephone (without  
bands).

# TECHNICAL SPECIFICATION

## Speech/ Network Interface:

Tested to TBR21/TBR38

## Ringling:

Frequency modulated, Piezo transducer, cadence as per incoming ringing. REN 1.0

## Power Supply:

Line powered, 10mA min.

## Time out:

Jumper selectable: OFF, 3 or 7 minutes

## Temperature:

Operating: -30° C to +60° C

Storing: -40° C to +70° C

## Relative Humidity:

Up to 95% (non-condensing)

## Casing Material:

Robust cast aluminium.

## Weight:

3.5kg

## Colours:

Standard Yellow or Grey durable powder coat. [custom colours available].

## Safety:

Manufactured to BS EN 60950

EN55022:1998 (EMC - Emissions)

EN50121-4:2006 (EMC Compatibility – Railway applications)

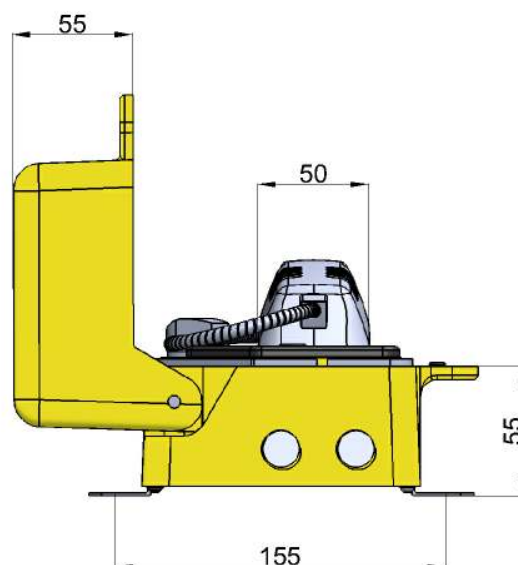
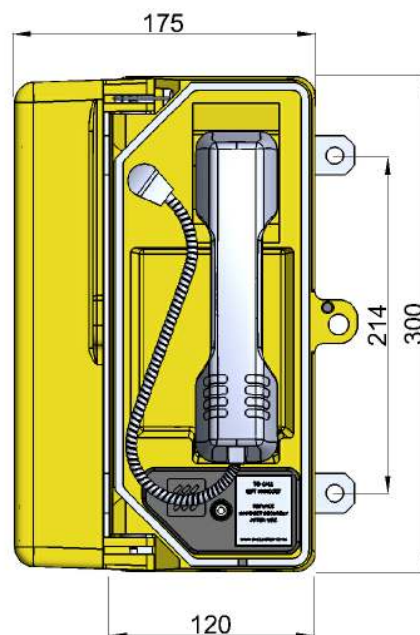
ITU-T K21 (Resistibility of telecommunications equipment installed at customers premises to over-voltages and over-current)

## Protection:

Dust and Liquids to BS 5490: 1977 IP55

## Handset 'Wrench' Test:

Curly Cord: 18kg Max. Armoured Cord: 150kg Max.



Tested to  
ETS 300-381



DAC Limited  
Unit 28, Turner Road,  
Lomeshaye Business Village, Nelson,  
BB9 7DR,  
Tel. +44 (0) 1282 447000, Fax: +44 (0) 845 280 1915  
www.daclimited.co.uk