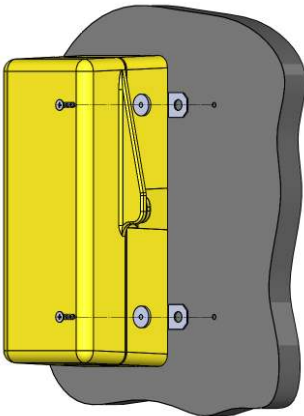


PADS No. 087/000659
Weatherproof Telephone RA708-CB-Y-S



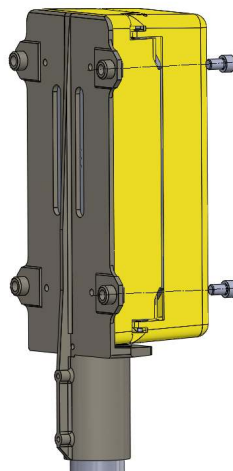
- RA708 Series
- Network Rail acceptance
- CB (Hot Dial) operation
- Yellow powder coated
- Steel cord handset
- Robust construction
- All weather protection
- Vandal resistant fixings
- Simple installation
- Fast-fit terminal connection
- Various mounting options
- Tough, polyurethane handset
- REN-1 rating
- Line powered
- CE compliant

Mounting options:



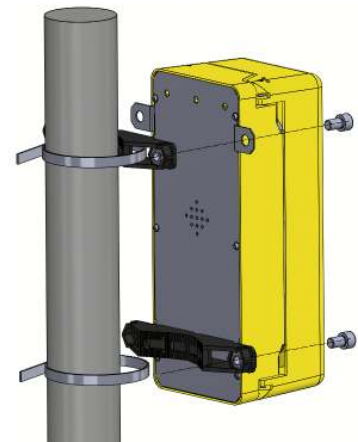
Wall mounting:

Use reducing washers
supplied with telephone



Top of pole mounting:

Top of pole mounting bracket
available from DAC:
503483/2-1 - Grey
503483/2-2 - Yellow



Pole or post mounting:

Adaptor bracket kit supplied
with telephone (without
bands).

TECHNICAL SPECIFICATION

Speech/ Network Interface:

Tested to TBR21/TBR38

Ringing:

Frequency modulated, Piezo transducer, cadence as per incoming ringing. REN 1.0

Power Supply:

Line powered, 10mA min.

Time out:

Jumper selectable: OFF, 3 or 7 minutes

Temperature:

Operating: -30° C to +60° C

Storing: -40° C to +70° C

Relative Humidity:

Up to 95% (non-condensing)

Casing Material:

Robust cast aluminium.

Weight:

3.5kg

Colours:

Standard Yellow or Grey durable powder coat. [custom colours available].

Safety:

Manufactured to BS EN 60950

EN55022:1998 (EMC - Emissions)

EN50121-4:2006 (EMC Compatibility – Railway applications)

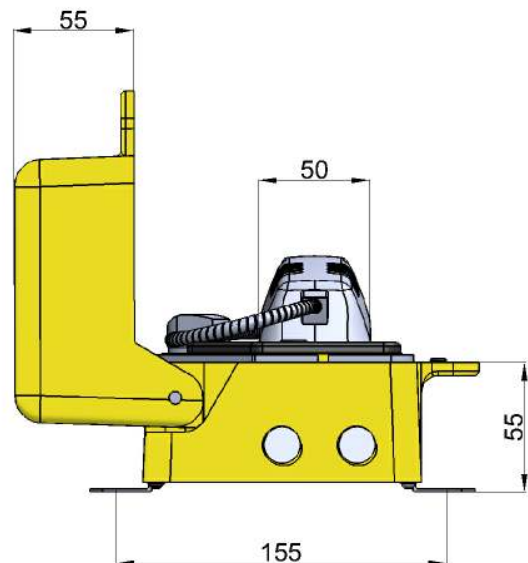
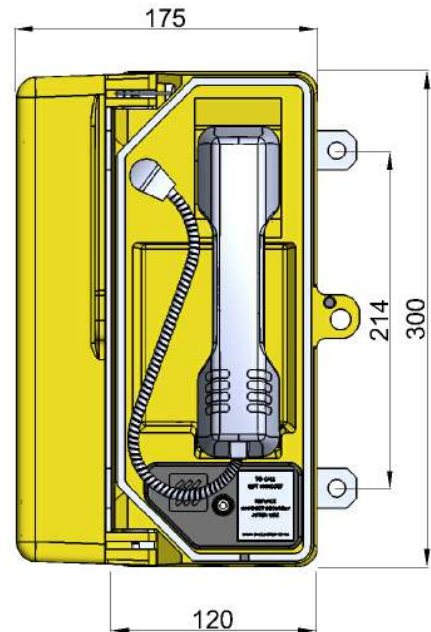
ITU-T K21 (Resistibility of telecommunications equipment installed at customers premises to over-voltages and over-current)

Protection:

Dust and Liquids to BS 5490: 1977 IP55

Handset 'Wrench' Test:

Curly Cord: 18kg Max. Armoured Cord: 150kg Max.



Tested to
ETS 300-381



DAC Limited
Unit 28, Turner Road,
Lomeshaye Business Village, Nelson,
BB9 7DR,
Tel. +44 (0) 1282 447000, Fax: +44 (0) 845 280 1915
www.daclimited.co.uk